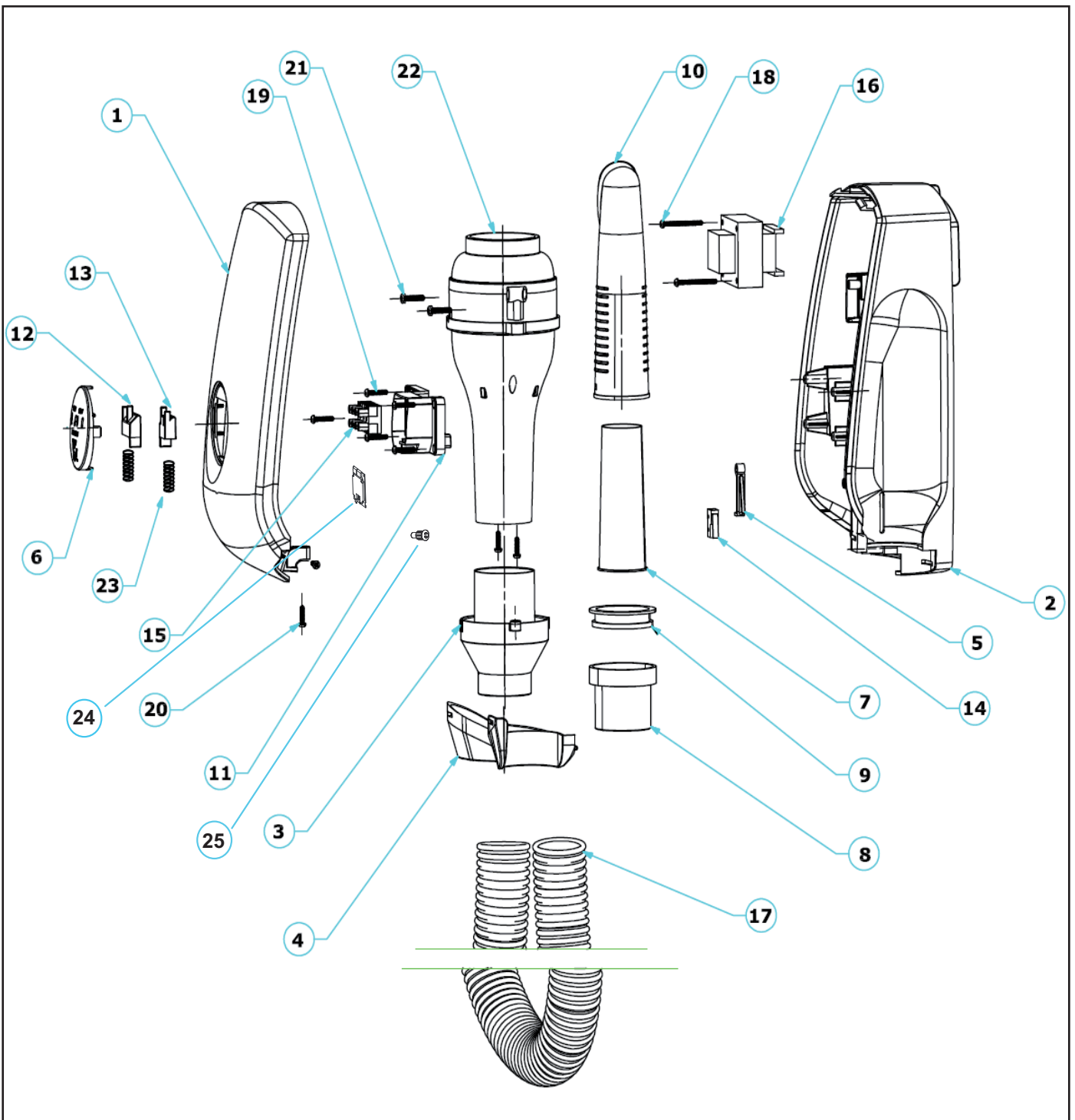


VORTDRY 1000 PLUS

REV. 02
14/07/2011

IT	Cod. 70921 - 230 V ~ 50 Hz
EN	Cod. 70921 - 230 V ~ 50 Hz
FR	Cod. 70921 - 230 V ~ 50 Hz
DE	Cod. 70921 - 230 V ~ 50 Hz



VORTICE ELETTROSOCIALI S.p.A.
Strada Cerca, 2 - frazione di Zoate
20067 TRIBIANO (MI)
Tel. (+39) 02-90.69.91
Fax (+39) 02-90.64.625
ITALIA

VORTICE LIMITED
Beeches House - Eastern
Avenue
Burton on Trent
DE13 0BB
Tel. (+44) 1283-492949
Fax (+44) 1283-544121
UNITED KINGDOM

VORTICE FRANCE
72 Rue Baratte-Cholet
94106 Saint Maur Cedex
Tel. (+33) 1-55.12.50.00
Fax (+33) 1-55.12.50.01
FRANCE

COD. 9994000573

VORTDRY 1000 PLUS

REV. 02
14/07/2011



IT	Cod. 70921 - 230 V ~ 50 Hz
EN	Cod. 70921 - 230 V ~ 50 Hz
FR	Cod. 70921 - 230 V ~ 50 Hz
DE	Cod. 70921 - 230 V ~ 50 Hz

Rif.	Cod.	Descrizione	Description	Description	Beschreibung
01	1.115.000.113	COPERCHIO FRONTALE P1511	FRONTAL COVER P1511	CHAPEAU DEVANT P1511	VOR ABDECKSCHILD P1511
02	1.067.000.352	CORPO POSTERIORE P1513	BACK COVER P1513	CACHE ARRIERE P1513	ABDECKSCHILD P1513
03	1.613.000.008	RACCORDO USCITA ARIA P1506	AIR EXIT COMPASS P1506	RACCORD SORTIE D'AIR P1506	LUFTAUSLASS ANSCHLUSS P1506
04	1.115.000.114	COPERCHIO ESTETICO INF. P1512	INFERIOR HESTETIC COVER P1512	COUVERCLE INFERIEUR P1512	UNTERSEITE ABDECKUNG P1512
05	1.304.000.105	LEVETTA SWITCH P1507	SWITCH TRACTOR P1507	LEVAGE P1507	HEBELWIRKUNG P1507
06	5.304.000.276	DISCO ESTETICO MOD.PLUS P1517B	COSMETIC FRONT SOCKET PLUS P1517B	DISQUE ESTHETIQUE PLUS P1517B	ASTHETISCHSCHEIBEFURPLUS P1517B
07	1.067.000.353	CORPO INTERNO IMPUGNATURA P1516	INTERNAL HAIR DRYER BODY P1516	CORPS TUYAUX INTERNE P1516	GEHAUSES INNERE ROHRE P1516
08	5.673.000.365	BUSSOLA IMPUGNATURA P1508	HAIR DRYER COMPASS P1508	BOUCHON DE POIGNEE P1508	GRIFF BLINDSTOPFEN P1508
09	5.001.000.020	ANELLO BOCCHETTA P1514	AIR VENT RING NUT P1514	BOUCLE P1514	RING P1514
10	1.296.000.033	IMPUGNATURA P1518	AIR VENT MAIN BODY P1518	POIGNEE P1518	GRIFF P1518
11	1.651.000.055	ALLOGGIAMENTO PRESA P1515	SOCKET HOLDER P1515	LOGEMENT DE PRISE P1515	RASIERAPPARATANSCHLUSS F/ P1515
12	5.304.000.277	CURSOREPREPARASOIO(GRANDE) P1519	SOCKET LARGE SLIDER P1519	CURSEUR PRISE RASOIR (GRAND) P1519	RASIERAPPARATANSCHLUSS (C P1519
13	5.304.000.278	CURSOREPREPARASOIO(PICCOLA) P1520	SOCKET SMALL SLIDER P1520	CURSEUR PRISE RASOIR (PETIT) P1520	RASIERAPPARATANSCHLUSS (F P1520
14	5.577.000.061	MICROINTERRUTTORE N.O.	MICROSWITCHNORMALLYOPENLWX 5-1-2	MICRO INTERRUOTOUR N.O.	MIKROSCHALTER N.O.
15	5.310.000.289	MORSETTIERA 070000101	JUNCTION BOX 070000101	BARRETTES DE CONNEXION 070000101	KLEMMLEISTEN 070000101
16	1.657.000.050	TRASFORMATORE P0925	TRANSFORMER P0925	TRANSFORMATEUR P0925	UBERTRAGER P0925
17	1.658.000.281	TUBO FLESSIBILE	TUBE	TUYAU FLEXIBLE	DRUCKLUFTSCHLAUCH
18	5.673.000.366	VITE 2,9X32	CROSS 2,9X32	VIS 2,9X32	SCHRAUBE 2,9X32
19	5.673.000.367	VITE 2,9X16 020004403	CROSS 2,9X16 020004403	VIS 2,9X16 020004403	SCHRAUBE 2,9X16 020004403
20	5.673.000.368	VITE 2,9X13 020001002	CROSS 2,9X13 020001002	VIS 2,9X13 020001002	SCHRAUBE 2,9X13 020001002
21	5.673.000.369	VITE 3,5X16 02C0180	CROSS 3,5X16 02C0180	VIS 3,5X16 02C0180	SCHRAUBE 3,5X16 02C0180
22	1.241.000.110	GRUPPOMOTOVENTILATORE(PAG.3) P1521	MOTOR GROUP (PAG.3) P1521	GRUPEMOTOVENTILATEUR(PAGE3) P1521	GRUPPELUFTERMOTOR(SEITE3) P1521
23	5.310.000.326	MOLLA 2	SPRING 2	RESSORT 2	FEDER 2
24	5.247.000.633	SCHEDA VORTDRY 1000 JET I0022	PCB PHON VERSION I0022	CARTE DE CONTROLE I0022	STEUERUNG PLATINE I0022
25	5.673.000.370	VITE 2,9X6,5 020001801	CROSS 2,9X6,5 020001801	VIS 2,9X6,5 020001801	SCHRAUBE 2,9X6,5 020001801

VORTICE ELETTROSOCIALI S.p.A.
Strada Cerca, 2 - frazione di Zoate
20067 TRIBIANO (MI)
Tel. (+39) 02-90.69.91
Fax (+39) 02-90.64.625
ITALIA

VORTICE LIMITED
Beeches House - Eastern
Avenue
Burton on Trent
DE13 0BB
Tel. (+44) 1283-492949
Fax (+44) 1283-544121
UNITED KINGDOM

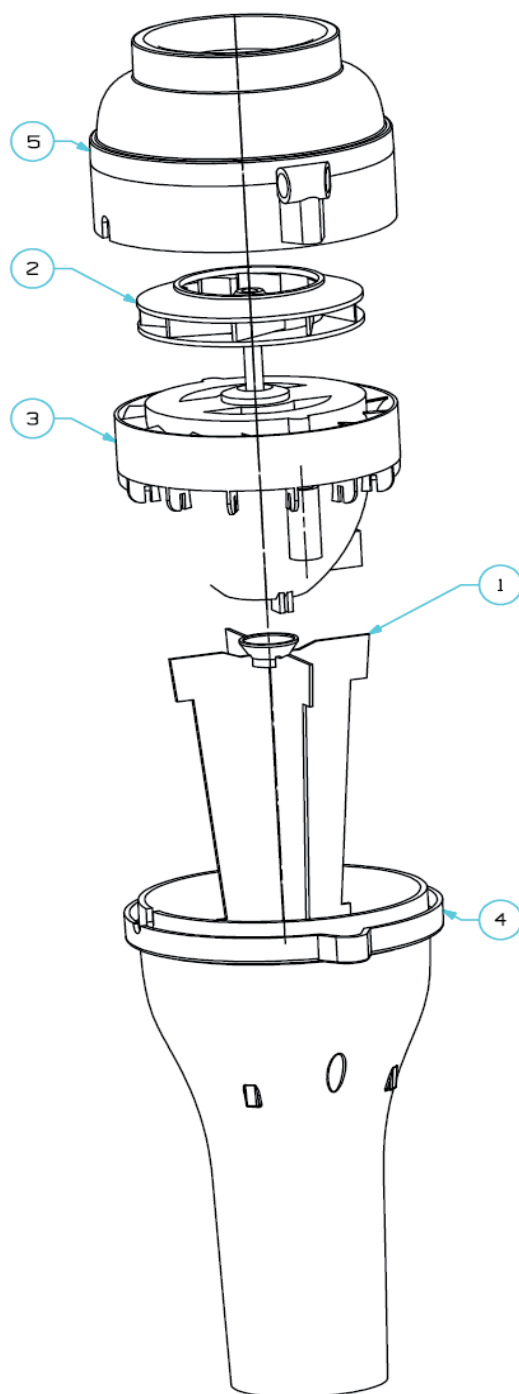
VORTICE FRANCE
72 Rue Baratte-Cholet
94106 Saint Maur Cedex
Tel. (+33) 1-55.12.50.00
Fax (+33) 1-55.12.50.01
FRANCE

COD. 9994000573

VORTDRY 1000 PLUS

REV. 02
14/07/2011

IT	Cod. 70921 - 230 V ~ 50 Hz
EN	Cod. 70921 - 230 V ~ 50 Hz
FR	Cod. 70921 - 230 V ~ 50 Hz
DE	Cod. 70921 - 230 V ~ 50 Hz



VORTICE ELETTROSOCIALI S.p.A.
Strada Cerca, 2 - frazione di Zoate
20067 TRIBIANO (MI)
Tel. (+39) 02-90.69.91
Fax (+39) 02-90.64.625
ITALIA

VORTICE LIMITED
Beeches House - Eastern
Avenue
Burton on Trent
DE13 0BB
Tel. (+44) 1283-492949
Fax (+44) 1283-544121
UNITED KINGDOM

VORTICE FRANCE
72 Rue Baratte-Cholet
94106 Saint Maur Cedex
Tel. (+33) 1-55.12.50.00
Fax (+33) 1-55.12.50.01
FRANCE

COD. 9994000573

VORTDRY 1000 PLUS

REV. 02
14/07/2011

IT	Cod. 70921 - 230 V ~ 50 Hz
EN	Cod. 70921 - 230 V ~ 50 Hz
FR	Cod. 70921 - 230 V ~ 50 Hz
DE	Cod. 70921 - 230 V ~ 50 Hz



Rif.	Cod.	Descrizione	Description	Description	Beschreibung
22.01	2.310.000.092	ELEMENTO RISCALDANTE P1522	HEATING ELEMENT P1522	RESISTANCE ELECTRIQUE P1522	HEIZELEMENT P1522
22.02	2.211.000.003	GIRANTE P1523	BITURBO FAN P1523	VENTILATEUR BITURBO P1523	BITURBO VENTILATOR P1523
22.03	2.241.000.001	MOTORE P1524	ELECTRIC MOTOR P1524	MOTEUR P1524	MOTOR P1524
22.03	2.310.000.093	TUBO RESISTENZA P1509	HEATER TUBE P1509	TUYAU RESISTANCE P1509	RHOR HEIZELEMENT P1509
22.04	1.529.000.090	PORTA MOTORE POSTERIORE P1510	BACK MOTOR HOLDER P1510	PORTE MOTEUR ARRIERE P1510	RUCK MOTOR HALTERUNG P1510

VORTICE ELETTROSOCIALI S.p.A.

Strada Cerca, 2 - frazione di Zoate
20067 TRIBIANO (MI)
Tel. (+39) 02-90.69.91
Fax (+39) 02-90.64.625
ITALIA

VORTICE LIMITED

Beeches House - Eastern
Avenue
Burton on Trent
DE13 0BB
Tel. (+44) 1283-492949
Fax (+44) 1283-544121
UNITED KINGDOM

VORTICE FRANCE

72 Rue Baratte-Cholet
94106 Saint Maur Cedex
Tel. (+33) 1-55.12.50.00
Fax (+33) 1-55.12.50.01
FRANCE

COD. 9994000573